

6

5

4

3

2

2

1

D

D

C

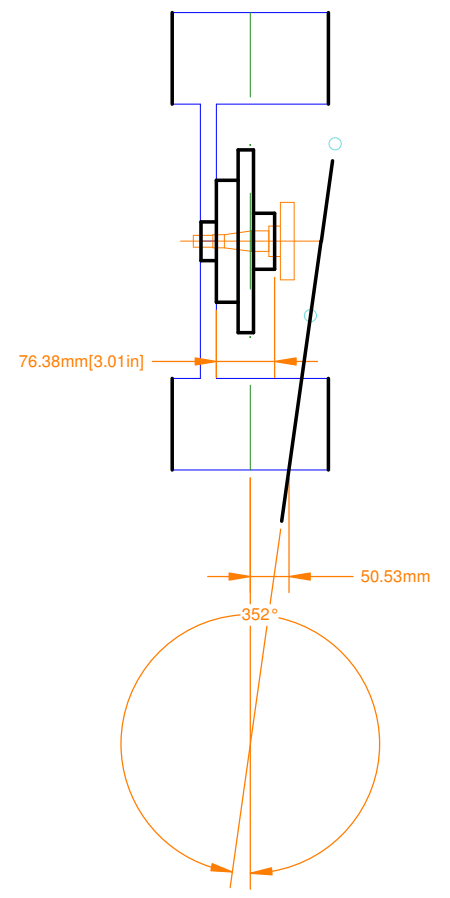
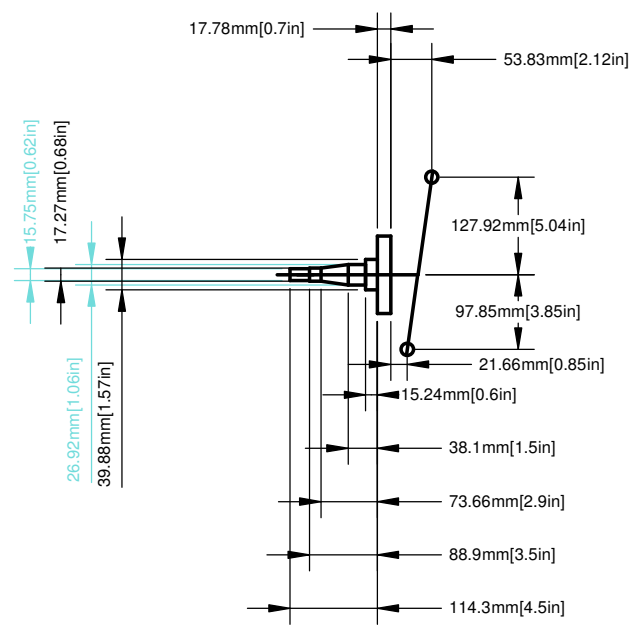
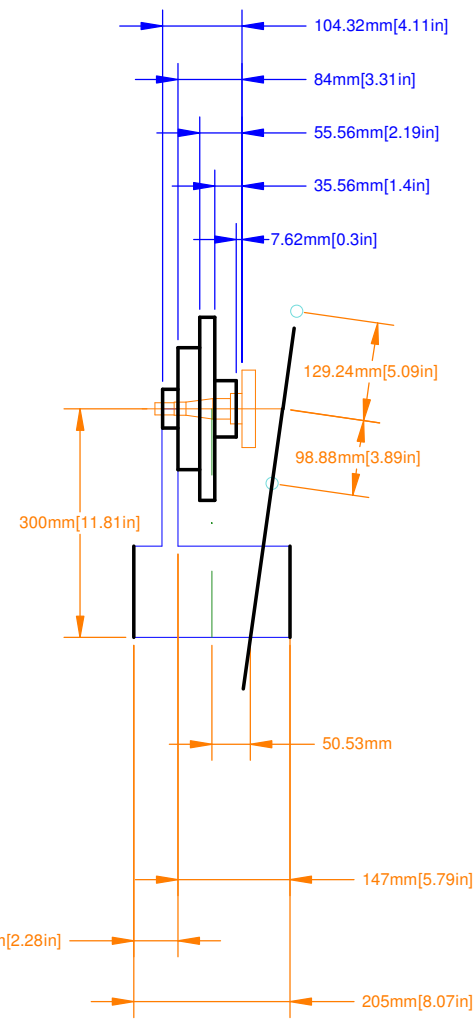
C

B

B

A

A



Name			
TITLE			
SIZE	CAGE CODE	DWG NO	REV
A3			
SCALE	SHEET		

Teacher Mr. Canfield
Date

6

5

4

3

2

2

1